

MI 750

*Bovie*<sup>®</sup> MI 750

THE NEXT GENERATION  
IN PROCEDURE AND EXAM LIGHTING



EXAM/DIAGNOSTIC LIGHTING

#### GREEN TECHNOLOGY

The energy efficient LED technology consumes less electricity than halogen lighting options and eliminates the additional cost of purchasing replacement bulbs, thereby reducing the cost of ownership significantly.

#### EXCELLENCE

Designed with unmatched lifetime spring-arm technology, 50,000 hour LEDs, and output rated at 50,000 Lux with a Kelvin color temperature of 4300°, the MI 750 offers a high quality lighting system that easily aligns with any practice budget.

#### MAINTAIN STERILITY

The on/off and dimming switch is located on the sterilizable handle to maintain sterility throughout procedure, when necessary.


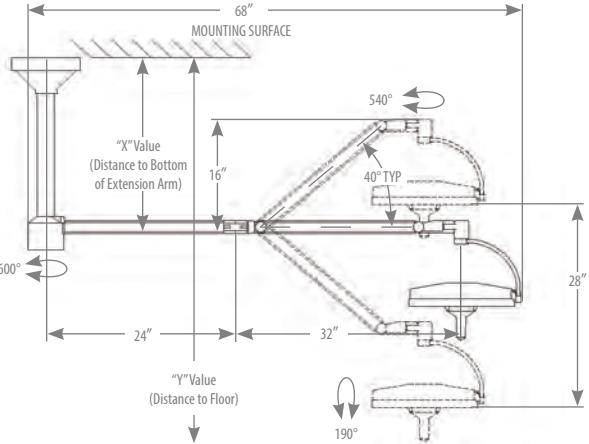
#### PROCEDURAL COMFORT

Using cool LED technology improves the comfort of the patient, practitioner, and medical staff.

#### VERSATILE

The MI 750 LED is available in a variety of mounting styles to ensure proper setup and light delivery for a variety of healthcare specialties.

MI 750  
INCLUDES

Single Ceiling Mount Model	Rotation and Arm Movement
 <p>a. Head b. Articulating Arm c. Single Ceiling Mount</p>	
XLDP-SC	

OTHER MI 750 MODELS  
AVAILABLE

<p style="text-align: center;">Wall Mount Model</p>  <p style="text-align: center;">XLDP-WM</p>	<p style="text-align: center;">Dual Ceiling Model</p>  <p style="text-align: center;">XLDP-DC</p>	<p style="text-align: center;">Portable Floor Model</p>  <p style="text-align: center;">XLDP-FM</p>
<p style="text-align: center;">Single Trolley Chuttle Trak Model<sup>†</sup></p> 	<p style="text-align: center;">Dual Trolley Chuttle Trak Model<sup>†</sup></p> 	

<sup>†</sup>Ceiling tracks sold separately

For more product information, contact your Bovie sales representative.

MI 750 TECHNICAL  
SPECIFICATIONS

Dimensions:	
Head	14.5" (368 mm) Dia. X 3.28" High (83.3 mm)
Arm	58.5" (1485 mm) Long
Arm (Floor)	38.5" (978 mm) Long
Floor Stand	75.5" (1917 mm) High

Weight:	
Head	Approximately 8.6 lbs. (3.9 kg)
Arm	Approximately 12.5 lbs. (5.7 kg)
Arm (Floor)	Approximately 11.5 lbs. (5.2 kg)
Wall Bracket Assy.	Approximately 3.0 lbs. (1.4 kg)
Floor Stand Assy.	Approximately 43.0 lbs. (19.5 kg)
Single Ceiling Mount	Approximately 14.5 lbs. (6.6 kg)
Dual Ceiling Mount	Approximately 16.0 lbs. (7.3 kg)

Rotations:	
Articulating Arm Vertical Movement	+/- 40 Degrees travel
Articulating Arm Horizontal Movement	Approximately 345 Degrees
Articulating Arm/Yoke Interface	Approximately 540 Degrees
Yoke/Lamp Head Interface	Approximately 190 Degrees

Data:	
Light Source	LED
LED Life in Hours	50,000 (Average)
Kelvin Color Temperature	4,300°K ±300°K
Central Illuminance (full intensity)	4,650 Foot-Candles (50,000 Lux)
Power Consumption	Approx 65W max
Input Voltage	100 – 240 VAC 50/60 Hz

Made in the USA. The MI LED Series is currently only available for sale in the USA.